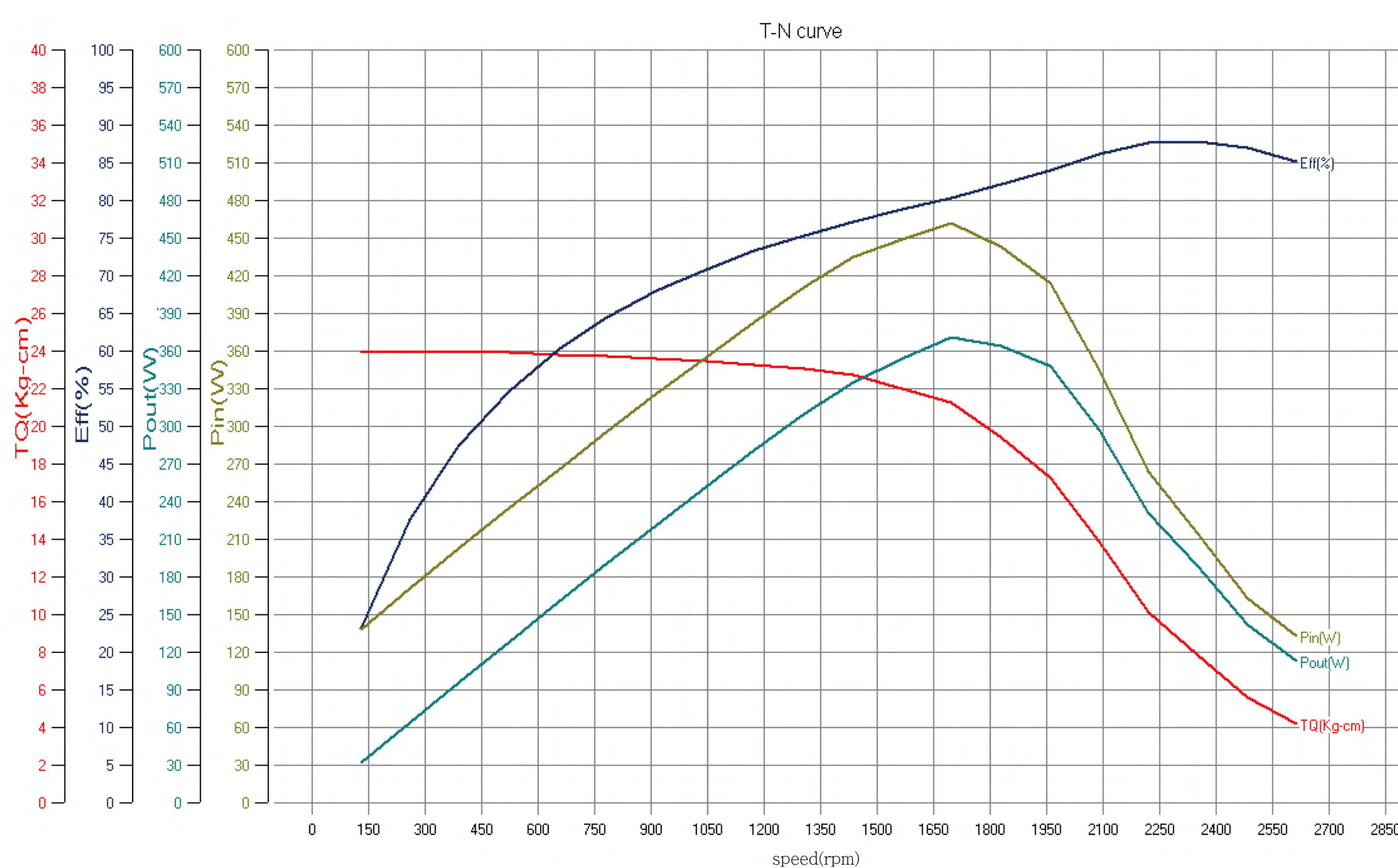
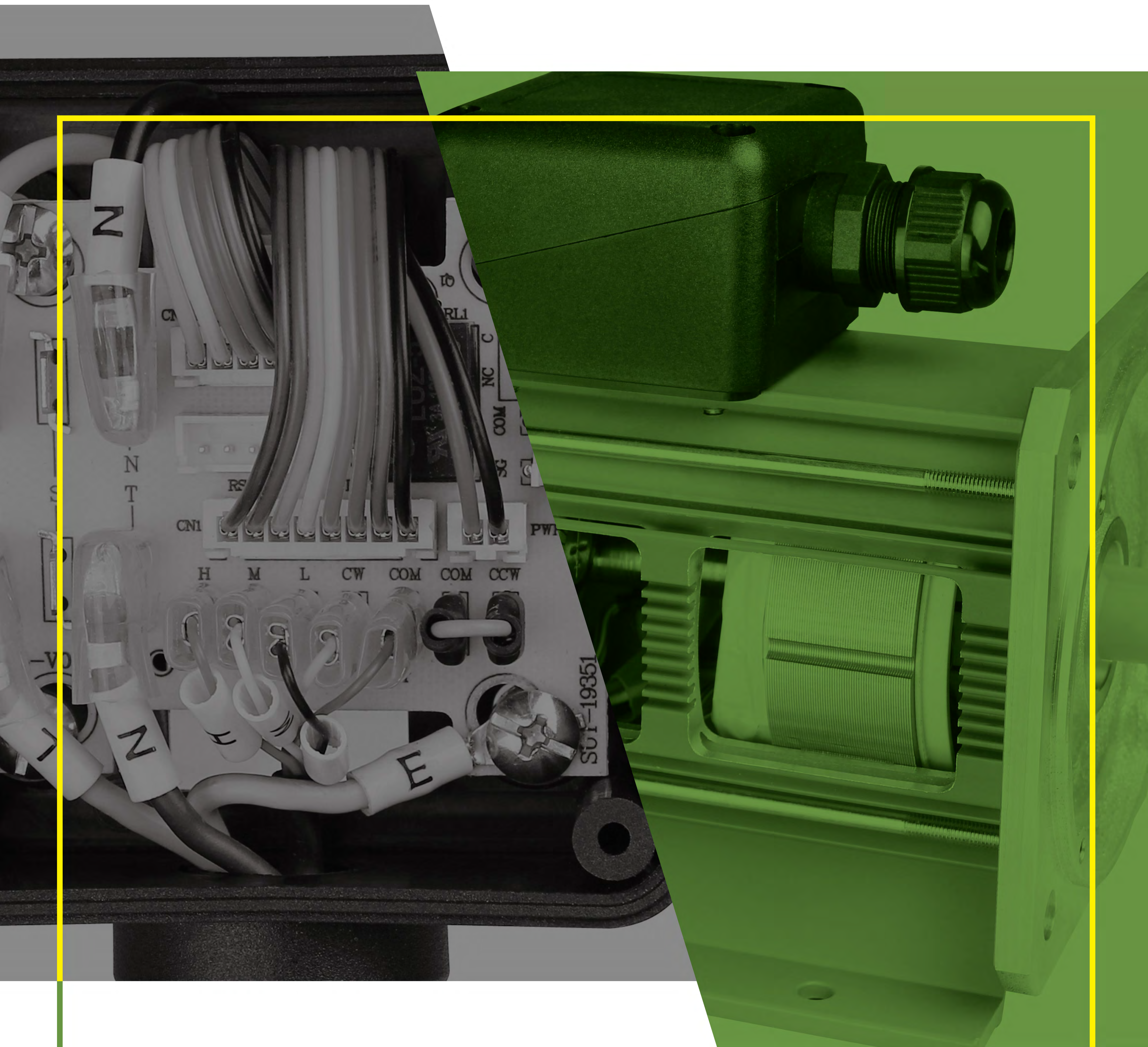


The best substitute for induction motor + Inverter



OREAL
TAIWAN OREAL CO.,LTD.

Innovating for you!



PATENT

TAIWAN	M439948
CHINA	ZL201220324010.7
U.S.A.	US8,836,188
GERMANY	Nr.202013001151.3

The best substitute for induction motor + Inverter



OREAL
TAIWAN OREAL CO.,LTD.

Innovating for you!



The best substitute for induction motor + Inverter



OReal
TAIWAN OREAL CO.,LTD.

Innovating for you!

Advantage Description of BLDC Motor for IEC or NEMA Size

Single-phase /
three-phase power input

Speed setting connector

Speed adjustment(VR),
start signal output

Single-phase /
three-phase power input

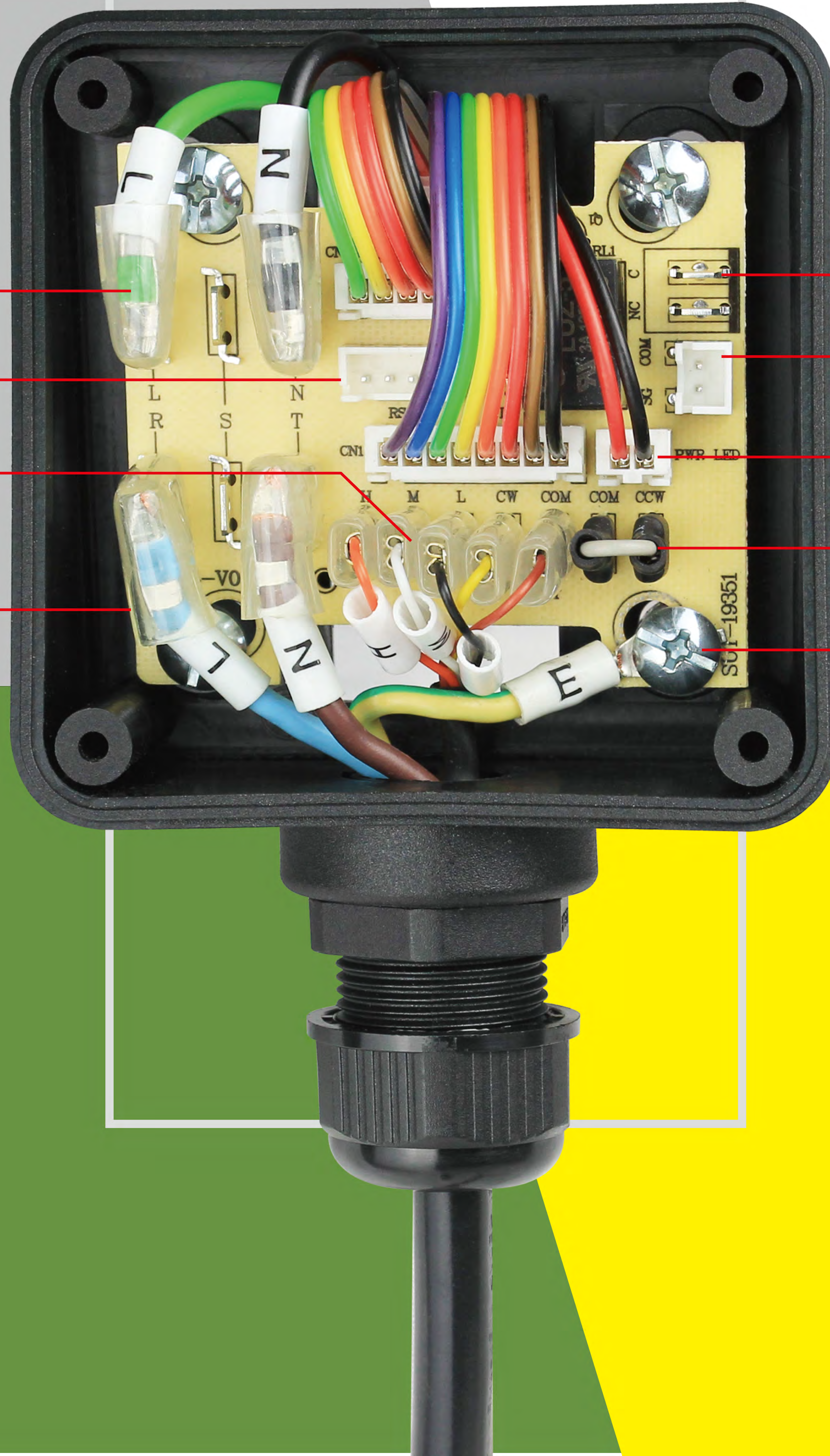
Fault signal output

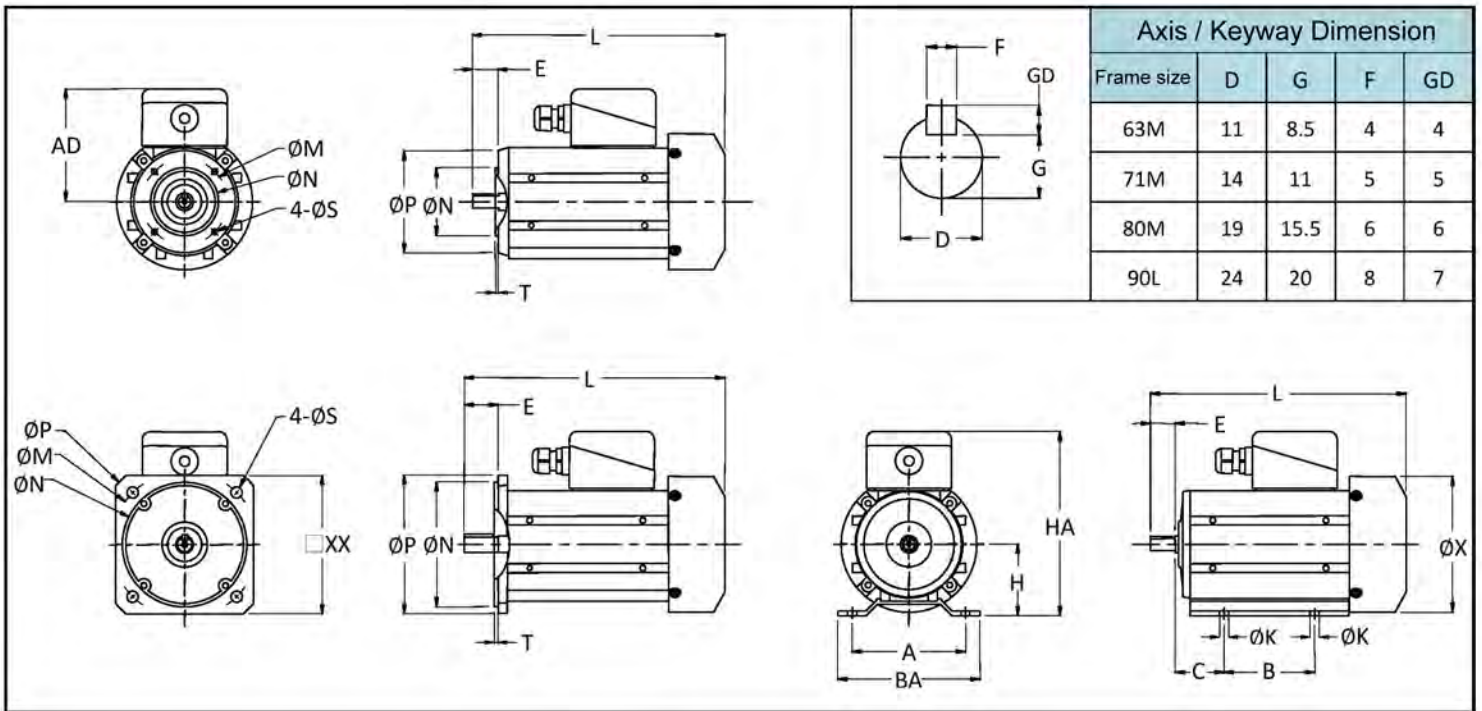
Speed signal output

Power light output
+Fault Analysis lights

CW/CCW
signal output

Ground





IEC MOTOR Dimensional drawings

Frame size	Output	Efficiency	Speed	B3 Assembly dimensions							Axis		B5 Assembly dimensions					B14 Assembly dimensions					Reference dimensions			
				A	B	C	H	K	BA	D	E	□XX	M	N	P	S	T	M	N	P	S	T	L	AD	HA	X
63M	1/4HP	> 77%	3600 rpm	100	80	40	63	7	126	11	23	122	130	110	160	10	3.5	75	60	90	M5	2.5	229	102	165	N/A
71M	1/2HP	> 81%		112	90	45	71	7	130	14	30	122	130	110	160	10	3.5	85	70	105	M6	2.5	234	103	174	N/A
80M	1HP	> 85%		125	100	50	80	9	155	19	40	156	165	130	200	12	3.5	100	80	120	M6	3	270	125	205	N/A
90L	2HP	> 90%		140	125	56	90	10	171	24	50	158	165	130	200	12	3.5	115	95	140	M8	3	350	135	225	175
B3												B5														
B3	B5	B6	B7	B8	B14	V1	V3	V5	V6	V18	V19															

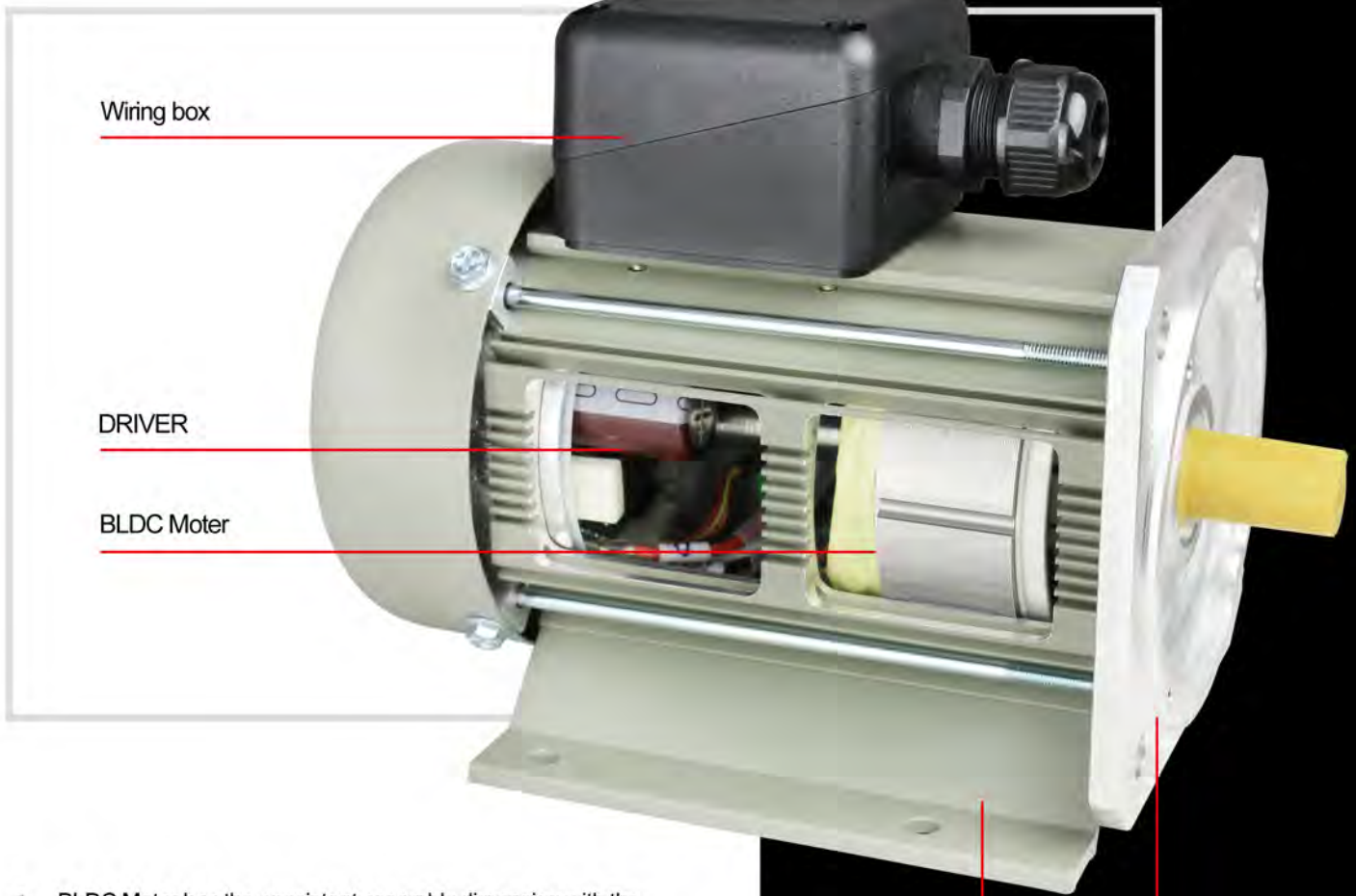


OREAL

TAIWAN OREAL CO.,LTD.

Innovating for you!

- TEL/ +886-4-25132155
- FAX/ +886-4-25224357
- NO.58, SEC. 2, FENGSHI RD., FENGYUAN DIST., TAICHUNG CITY 42081, TAIWAN (R.O.C.)
- E-mail 1/ service@oreal.com.tw
- E-mail 2/ cpt.abb@gmail.com
- Website / www.oreal.com.tw



1. BLDC Motor has the consistent assembly dimension with the driver, the traditional IEC or NEMA motor. By using the original fan of motor, it can cool the driver and motor simultaneously.
2. The speed control and positive/reverse rotation buttons can be installed on the outer panel of motor to have the advantages of space-saving and easy controlling; and also can pull the speed control and positive/reverse rotation buttons onto machine panel to fulfill the multiple-sites controlling requirement of customers.
3. Can share together the IEC motor B3 and B5 and also the NEMA can be shared together by vertical or horizontal type in order to reduce the large warehousing capital and space of agent distributor.
4. Range of IEC motor rotation speed: 800~3,600rpm. The range of rotation speed can be customized.
5. Input power: AC single-phase 110V; AC single-phase 220V; AC triple-phase 220V; AC triple-phase 380V.
6. Motor input power: DC310V or DC530V
7. High efficiency, low temperature elevation, low rotation speed with high torsion, light weight, ultra longevity, substitution of sensor motor and transformer, and comprehensive application scope.
8. Can be customized for any type of built-in driver motor, such as: oil-pressure motor, gear motor, direct-driving motor, fan motor, and pump motor.
9. Can be customized for any controlling and functions.
10. Comply with all security regulations.
11. Reasonable price.

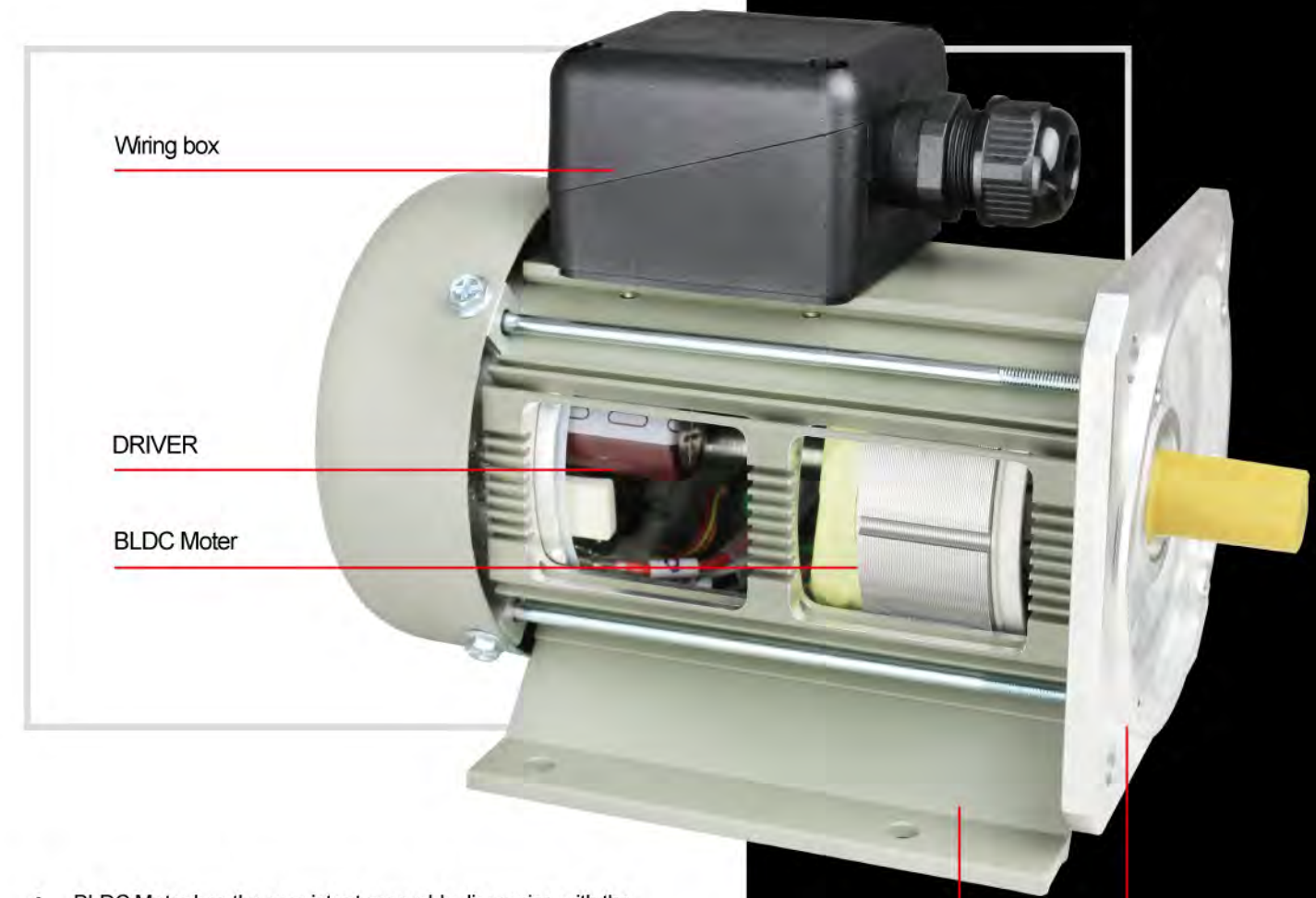
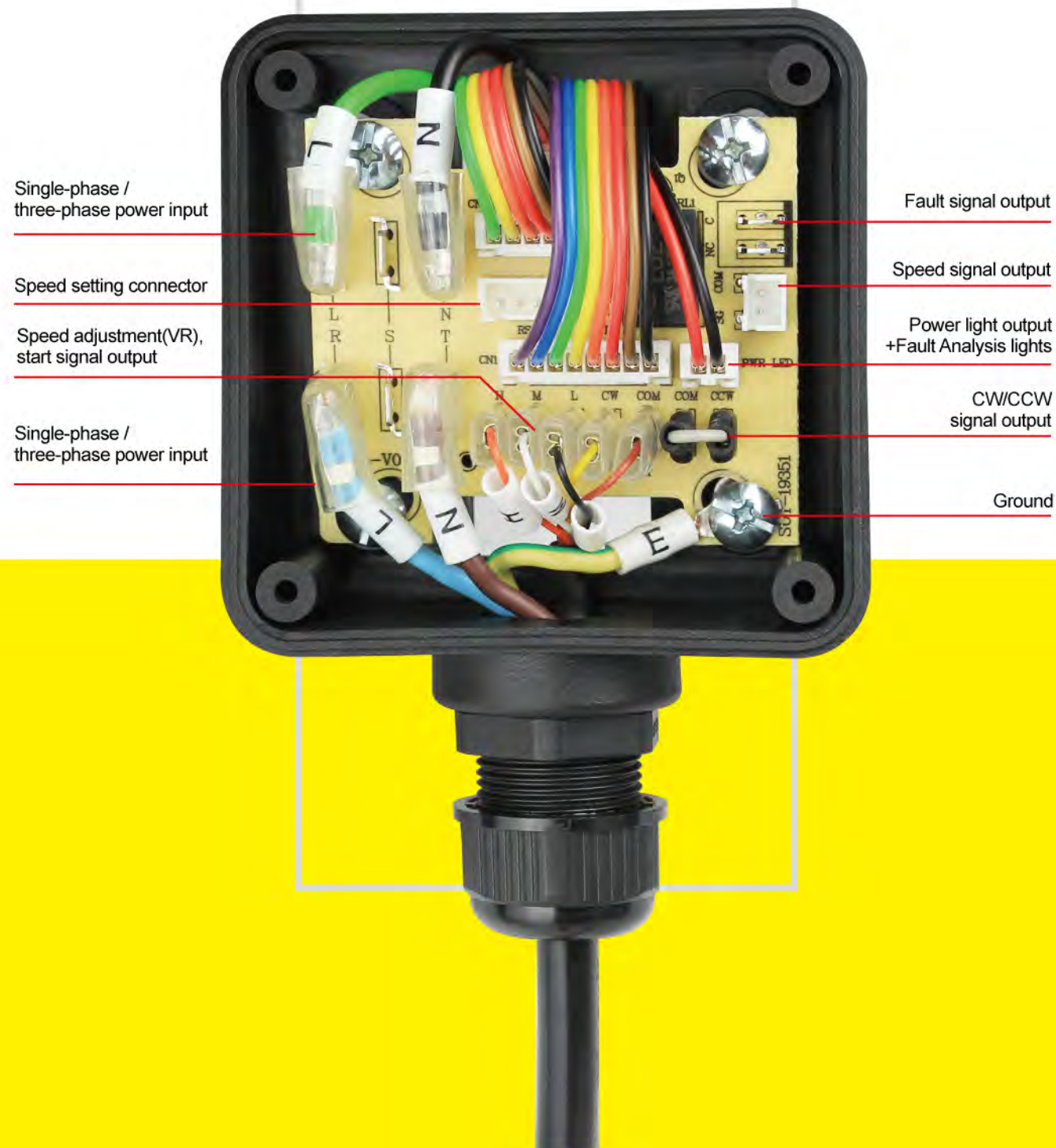
B3

B5

PATENT

TAIWAN	M439948
CHINA	ZL201220324010.7
U.S.A.	US8,836,188
GERMANY	Nr.202013001151.3

Advantage Description of BLDC Motor for IEC or NEMA Size



B3臥式 B5立式

1. BLDC Motor has the consistent assembly dimension with the driver, the traditional IEC or NEMA motor. By using the original fan of motor, it can cool the driver and motor simultaneously.
2. The speed control and positive/reverse rotation buttons can be installed on the outer panel of motor to have the advantages of space-saving and easy controlling; and also can pull the speed control and positive/reverse rotation buttons onto machine panel to fulfill the multiple-sites controlling requirement of customers.
3. Can share together the IEC motor B3 and B5 and also the NEMA can be shared together by vertical or horizontal type in order to reduce the large warehousing capital and space of agent distributor.
4. Range of IEC motor rotation speed: 800~3,600rpm. The range of rotation speed can be customized.
5. Input power: AC single-phase 110V; AC single-phase 220V; AC triple-phase 220V; AC triple-phase 380V.
6. Motor input power: DC310V or DC530V
7. High efficiency, low temperature elevation, low rotation speed with high torsion, light weight, ultra longevity, substitution of sensor motor and transformer, and comprehensive application scope.
8. Can be customized for any type of built-in driver motor, such as: oil-pressure motor, gear motor, direct-driving motor, fan motor, and pump motor.
9. Can be customized for any controlling and functions.
10. Comply with all security regulations.
11. Reasonable price.

PATENT

TAIWAN	M439948
CHINA	ZL201220324010.7
U.S.A.	US8,836,188
GERMANY	Nr.202013001151.3